



LEGAL IN CALIFORNIA ONLY FOR RACING VEHICLES WHICH MAY NEVER BE USED, REGISTERED OR LICENSED FOR USE UPON A HIGHWAY.

See knfilters.com for CARB status on each part for a specific vehicle

## INSTALLATION INSTRUCTIONS

# 71-9039

## TOYOTA

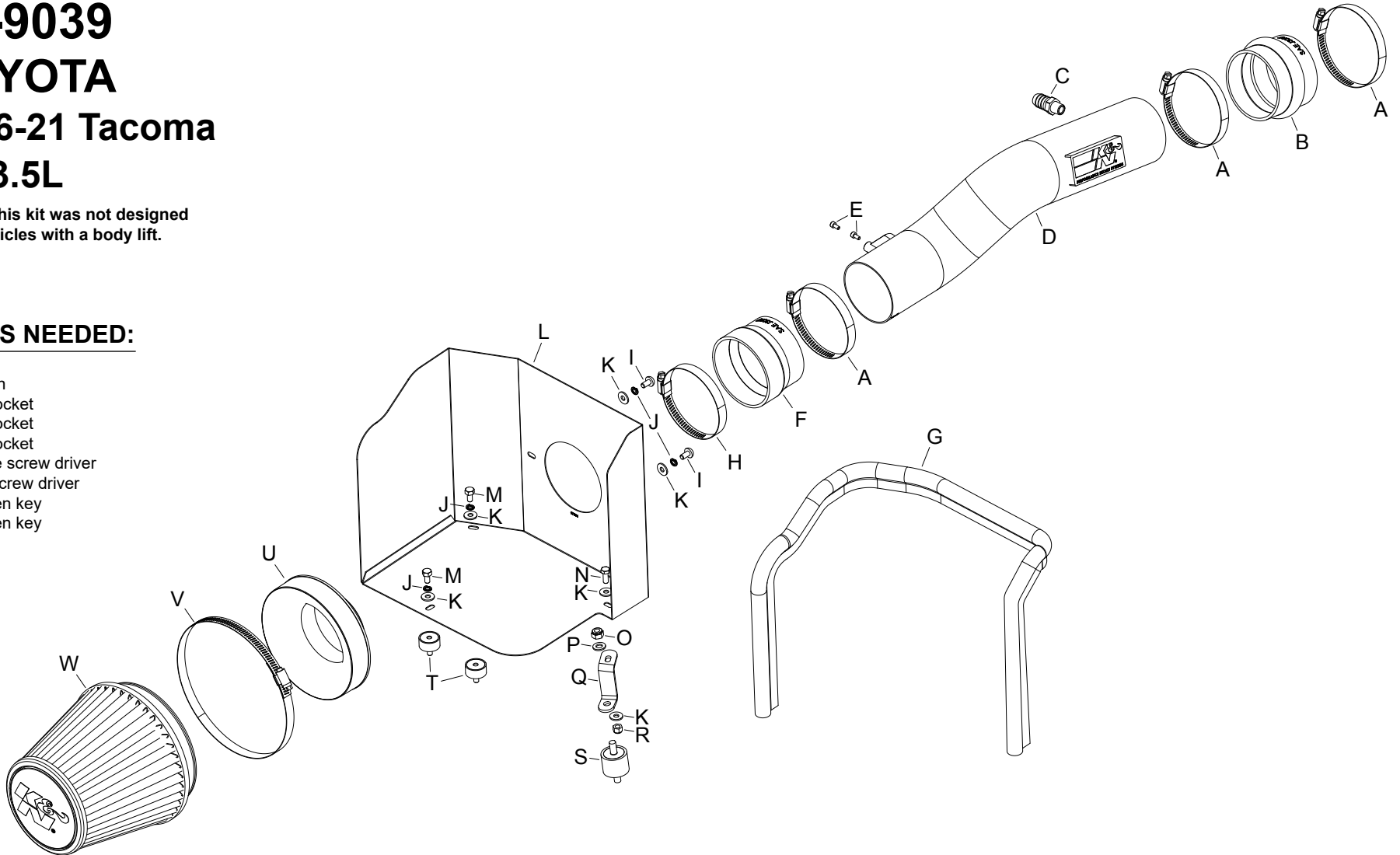
### 2016-21 Tacoma

### V6-3.5L

NOTE: This kit was not designed to fit vehicles with a body lift.

#### TOOLS NEEDED:

- ratchet
- extension
- 10mm socket
- 12mm socket
- 13mm socket
- flat blade screw driver
- phillips screw driver
- 3mm allen key
- 4mm allen key



#### PARTS LIST:

Description	Qty.	Part #	Description	Qty.	Part #	Description	Qty.	Part #
A HOSE CLAMP #52, BLACK ZINC	3	08610KA	I BOLT; M6-1 X 12MM	2	07794	Q BRACKET; SHORT "Z"	1	07958
B HOSE; 3.25" ID X 2-5/8" L	1	08171	J WASHER, M6 SPLIT LOCK ZINC	4	1-3025	R NUT; 6MM NYLOCK, HEXHEAD	1	07512
C VENT; STRT, 5/8 BARBED 1/4	1	08911-2	K WASHER; 6MM FLAT	6	08269	S STUD; RUBBER MOUNTED	1	1228560
D INTAKE TUBE	1	27657TK	L HEAT SHIELD	1	07394A	T STUD; RUBBER MNT, M/F, 1/2"L	2	070228
E BOLT; M4-.7 8MM, A/H CAP	2	07733	M BOLT; M6 X 1 X 12MM	2	07727	U ADAPTER; UNIVERSAL, 6"	1	21512-1
F HOSE; 3.5"ID TO 3.25"ID X 2.5"L	1	08496	N BOLT; 6MM-1 X 16MM	1	07812	V HOSE CLAMP # 104, BLACK	1	08697K
G EDGE TRIM (39)	1	102496A	O NUT; 8MM NYLOCK	1	07502	W AIR FILTER	1	RU-3102HBK
H HOSE CLAMP #56, BLACK ZINC	1	08620K	P WASHER; 8MM, FLAT	1	08272			

If you need any assistance please call 1-800-858-3333 to speak with a representative in our Customer Service Center before returning the product.

**NOTE: FAILURE TO FOLLOW INSTALLATION INSTRUCTIONS AND NOT USING THE PROVIDED HARDWARE MAY DAMAGE THE INTAKE TUBE, THROTTLE BODY AND ENGINE.**

#### TO START:

1. Turn off the ignition and disconnect the negative battery cable.  
**NOTE: Disconnecting the negative battery cable erases pre-programmed electronic memories. Write down all memory settings before disconnecting the negative battery cable. Some radios will require an anti-theft code to be entered after the battery is reconnected. The anti-theft code is typically supplied with your owner's manual. In the event your vehicles anti-theft code cannot be recovered, contact an authorized dealership to obtain your vehicles anti-theft code.**



2. Lift up the engine cover to dislodge it from the mounting studs and then remove it from the vehicle.



3. Release the spring clamp and disconnect the crank case vent hose from the factory intake tube.



4. Loosen the hose clamp securing the factory intake tube to the throttle body.

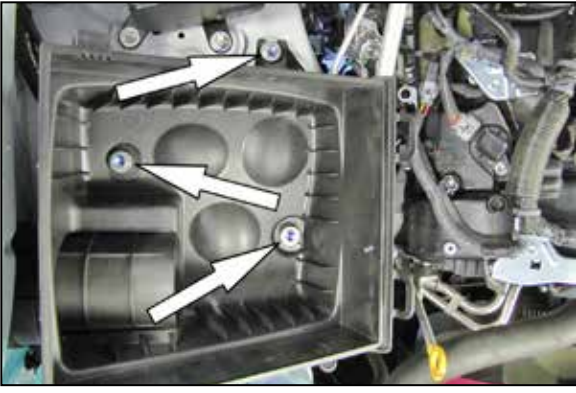


5. Disconnect the mass air sensor electrical connection and unhook the harness from the air filter housing.

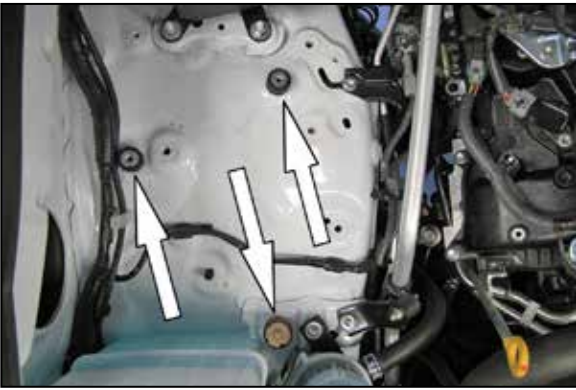


6. Release the two clips securing the air filter housing and then remove the intake tube and air filter hosing along with the factory air filter.

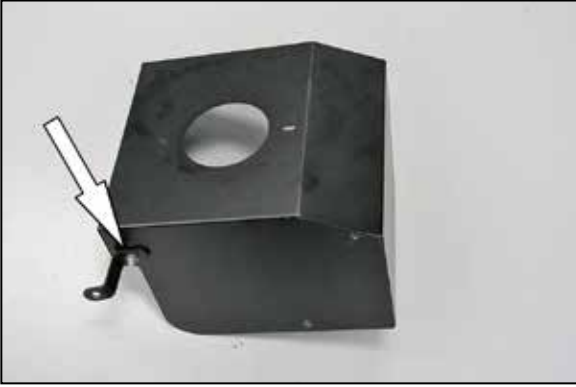




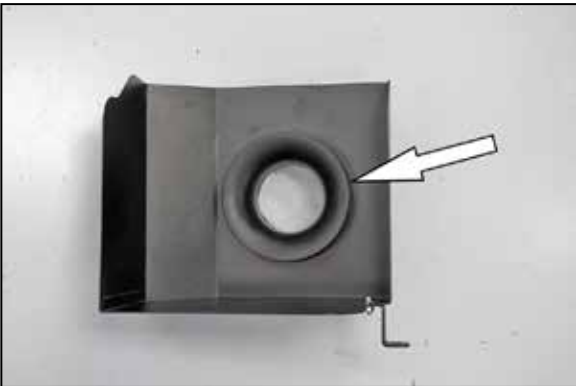
7. Remove the three bolts securing the lower air filter housing to the inner fender and then remove the lower air filter housing from the vehicle.  
**NOTE: K&N Engineering, Inc., recommends that customers do not discard factory air intake.**



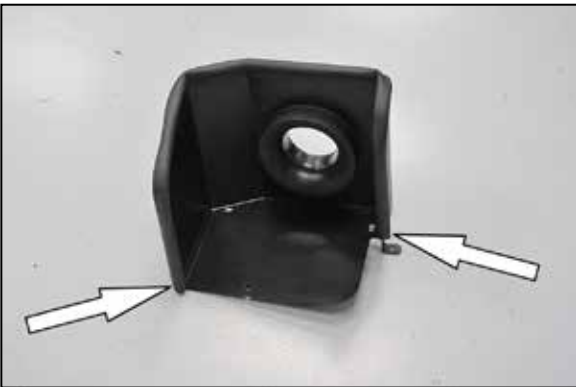
8. Install the three provided rubber mounted studs onto the inner fender in the positions shown.



9. Install the provided heat shield bracket (07958) onto the K&N® heat shield as shown.



10. Install the provided radius adapter onto the heat shield and secure with the provided hardware.



11. Install the provided edge trim onto the K&N® heat shield as shown.  
**NOTE: Some trimming of the edge trim will be necessary.**



12. Install the heat shield onto the rubber mounted studs installed in the earlier step and secure with the provided hardware.



13. Install the provided hump coupler (08171) onto the throttle body and secure with the provided hose clamp.



14. Install the provided step coupler (08496) onto the filter adapter and secure with the provided hose clamp.



15. Remove the mass air sensor from the factory air filter housing.



16. Install the mass air sensor into the K&N® intake tube and secure with the provided hardware.



17. Install the provided NPT vent fitting into the K&N® intake tube as shown.  
**NOTE: Plastic NPT fittings are easy to cross thread. Install the vent fitting "hand" tight, then turn it two complete turns with a wrench.**



18. Install the intake tube into the coupling hose at the throttle body and then into the coupling at the filter adapter. Adjust the tube for best fit and then secure with the provided hose clamps.



19. Connect the crank case vent fitting onto the vent fitting installed into the K&N® intake tube.



20. Reconnect the mass air sensor electrical connection.



21. Install the K&N® air filter onto the filter adapter and secure with the provided hose clamp.





22. Reinstall the factory engine cover.



23. Reconnect the vehicle's negative battery cable. Double check to make sure everything is tight and properly positioned before starting the vehicle.

24. It will be necessary for all K&N® high flow intake systems to be checked periodically for realignment, clearance and tightening of all connections. Failure to follow the above instructions or proper maintenance may void warranty.

#### ROAD TESTING:

1. Start the engine with the transmission in neutral or park, and the parking brake engaged. Listen for air leaks or odd noises. For air leaks secure hoses and connections. For odd noises, find cause and repair before proceeding. This kit will function identically to the factory system except for being louder and much more responsive.

2. Test drive the vehicle. Listen for odd noises or rattles and fix as necessary.

3. If road test is fine, you can now enjoy the added power and performance from your kit.

4. K&N Engineering, Inc., requires cleaning the Blackhawk Induction™ intake system's air filter element every 100,000 miles. When used in dusty or off-road environments, our filters will require cleaning more often. We recommend that you visually inspect your filter once every 25,000 miles to determine if the screen is still visible. When the screen is no longer visible some place on the filter element, it is time to clean it. To clean, purchase our Synthetic Filter Cleaner, part number 99-0624 and follow the easy instructions.

**LEGAL IN CALIFORNIA ONLY FOR RACING VEHICLES  
WHICH MAY NEVER BE USED, REGISTERED  
OR LICENSED FOR USE UPON A HIGHWAY.**

See [knfilters.com](http://knfilters.com) for CARB status on each part for a specific vehicle